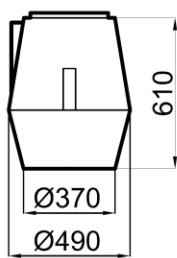
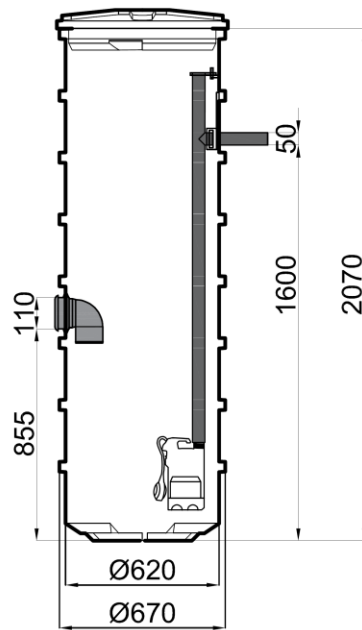


Pumping stations

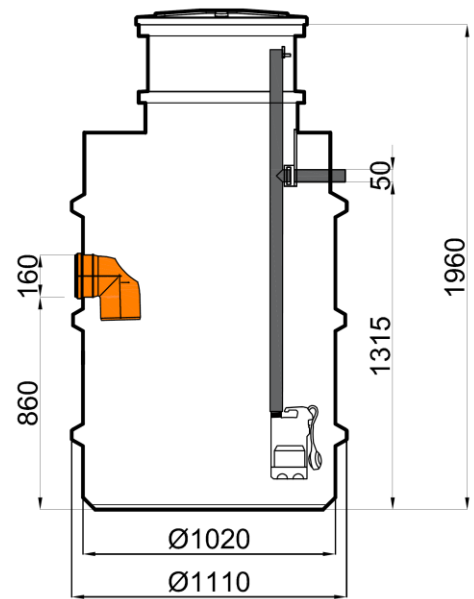
Basic Parameters



ZP 45/65



ZP 60/200



ZP 100/200

PUMPING STATIONS

Index	Model	Pump
P/0014	ZP 60/200 VTX 370	Pedrollo VTX 370
P/0013	ZP 60/200 VXm 8/35-ST	Pedrollo VXm 8 /35 - ST
P/0016	ZP 100/200 VTX 370	Pedrollo VTX 370
P/0015	ZP 100/200 VXm 8/35-ST	Pedrollo VXm 8 /35 - ST

PUMPING STATION TANKS

Index	Model
P/0005	ZP 45/65 (no cover)
P/0006	ZP 60/200
P/0008	ZP 100/200

Pumping stations are standardly equipped with an inlet, outlet, pump with pipeline and quick connector, and a cover.

The ZP60/100 and ZP 100/100 pumping station tank includes an inlet and a cover. The ZP 45/65 pumping station tank does not contain additional elements (accessories for ZP 45/65 are below)

ADDITIONAL ACCESSORIES

Index	Model
PDA8	Check valve and ball valve
A/0292	Pedrollo VXm 10/50-ST pump (outlet ϕ 63)
A/0001	Maximum level sensor
A/0047	Pumping station control (without box)

ACCESSORIES for ZP 45/65

Index	Model
OD/0064	Cover for ZP 45/65
A/0254	Pedrollo VTX 370 pump
R/0038	Corrugated pipe 315 3 lm
R/0038	Corrugated pipe 315 6 lm
A/0056	In-situ gasket 110

It is possible to make a pumping station with other parameters depending on the needs of the customer.