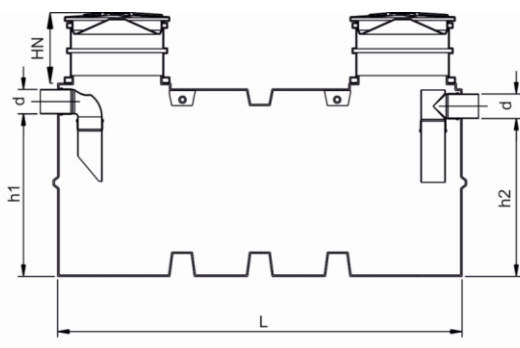
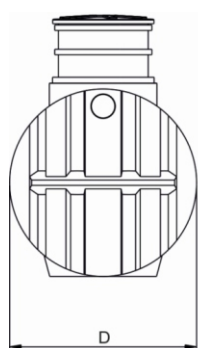
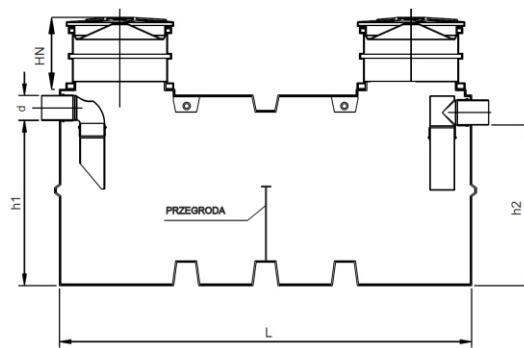




Basic parameters



STH



STHO

Model	Nominal Flow	Length L	Width D	Height h1/h2	Inlet/Outlet Diameter	Manhole Diameter	Total Capacity	Settler Capacity
	[l/s]	[m]	[m]	[cm]	[mm]	[mm]	[m ³]	[m ³]
STH-3	3	1,73	1,2	99/95	160	600/600	1,7	-
STHO-3	3	1,73	1,2	99/95	160	600/600	1,7	0,43
STH-4	4	2,21	1,22	106/102	160	600/600	2,2	-
STHO-4	4	2,21	1,22	106/102	160	600/600	2,2	0,55
STH-6	6	2	1,5	120/116	160	315/600	2,6	-
STHO-6	6	2	1,5	120/116	160	315/600	2,6	0,65
STH-10	10	2,42	1,5	117/113	160	315/600	3,4	-
STHO-10	10	2,42	1,5	117/113	160	315/600	3,4	0,85

Individual solutions are also possible, guaranteeing larger volumes and larger flows.
At customer's request it is possible to change the diameter of the connections.

Optional devices:

- additional extensions
- alarm systems