

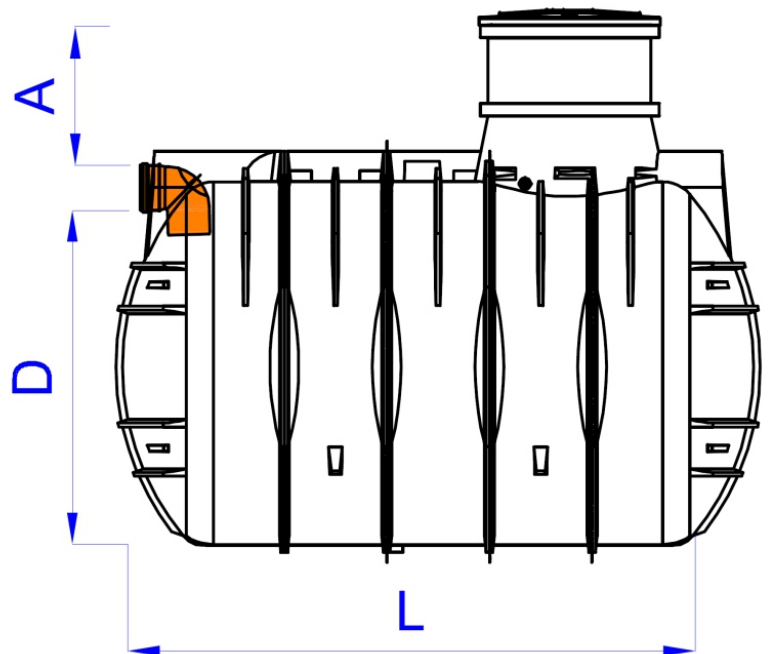
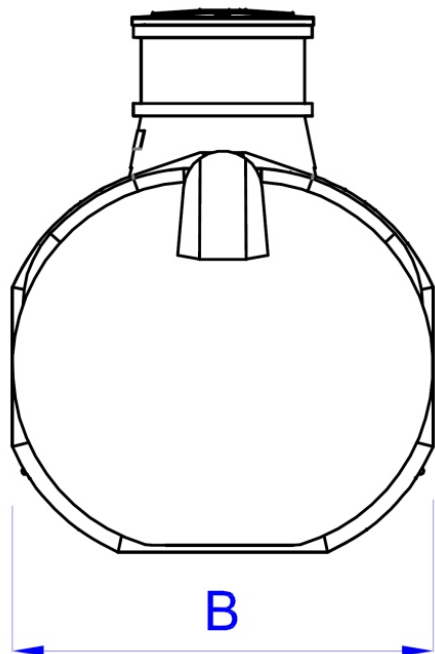
## Biological treatment plant **BIO EASY FLOW WIRO 8**

The BIO EASY FLOW WIRO 8 sewage treatment plant is a single-chamber biological treatment plant intended for 2 to 8 permanent users (PE), in which the treatment processes are cyclical.

In BIO EASY FLOW WIRO sewage treatment plants, a pump is used at the outlet, which allows sewage to be discharged or managed regardless of the groundwater level and type of soil.



### Parametry podstawowe



Index	Model	Number of users	Capacity	Nominal flow	Length (L)	Width (B)	Inlet height (D)	Inlet depth (A)	Inlet/outlet diameter
			[m <sup>3</sup> ]	[m <sup>3</sup> /day]	[mm]	[mm]	[mm]	[mm]	[mm]
O/00199	BIO EASY FLOW 2-8 WIRO	2-8 PE	3,75	1,2	2450	1600	1300	530	160/50