

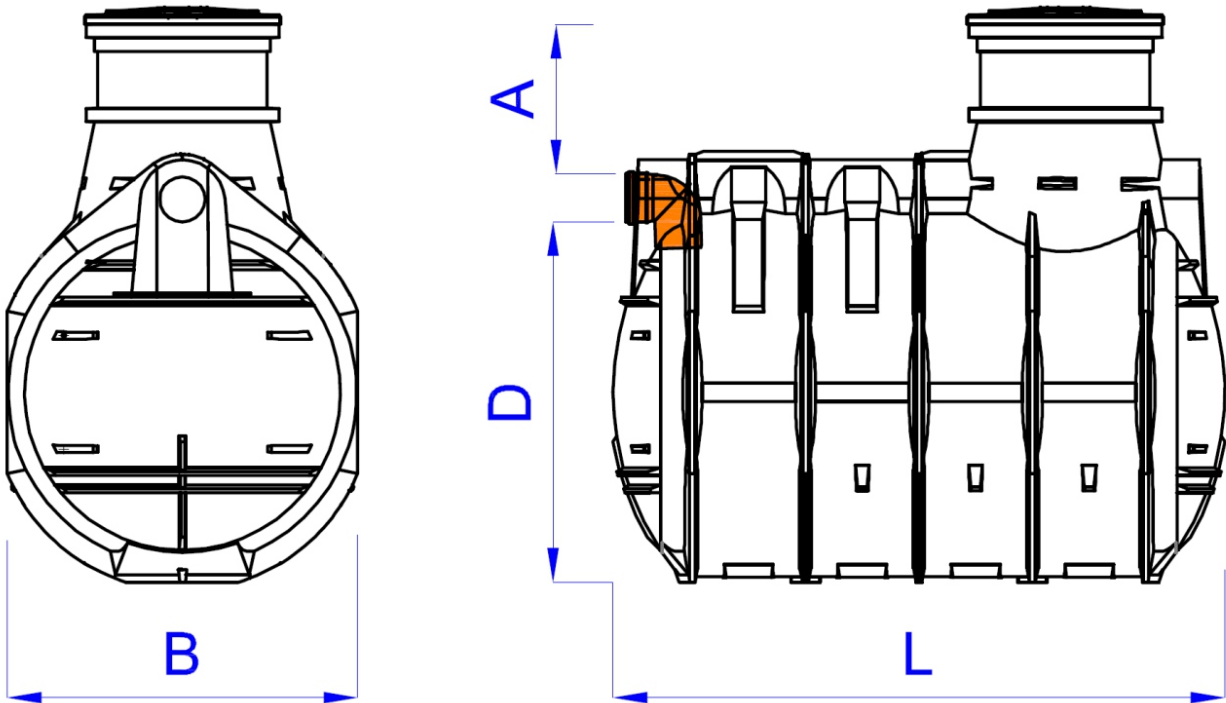
Biological treatment plant **BIO EASY FLOW WIRO 5**

The BIO EASY FLOW WIRO 5 sewage treatment plant is a single-chamber biological treatment plant intended for 1 to 5 permanent users (PE), in which the treatment processes are cyclical.

In BIO EASY FLOW WIRO sewage treatment plants, a pump is used at the outlet, which allows sewage to be discharged or managed regardless of the groundwater level and type of soil.



Basic parameters



| Index | Model | Number of users | Capacity [m ³] | Nominal flow [m ³ /day] | Length (L) [mm] | Width (B) [mm] | Inlet height (D) [mm] | Inlet depth (A) [mm] | Inlet/outlet diameter [mm] |
|---------|------------------------|-----------------|-------------------------------|---------------------------------------|--------------------|-------------------|--------------------------|-------------------------|-------------------------------|
| O/00129 | BIO EASY FLOW WIRO 1-5 | 1-5 PE | 2,5 | 0,75 | 2150 | 1240 | 1270 | 520 | 160/50 |