

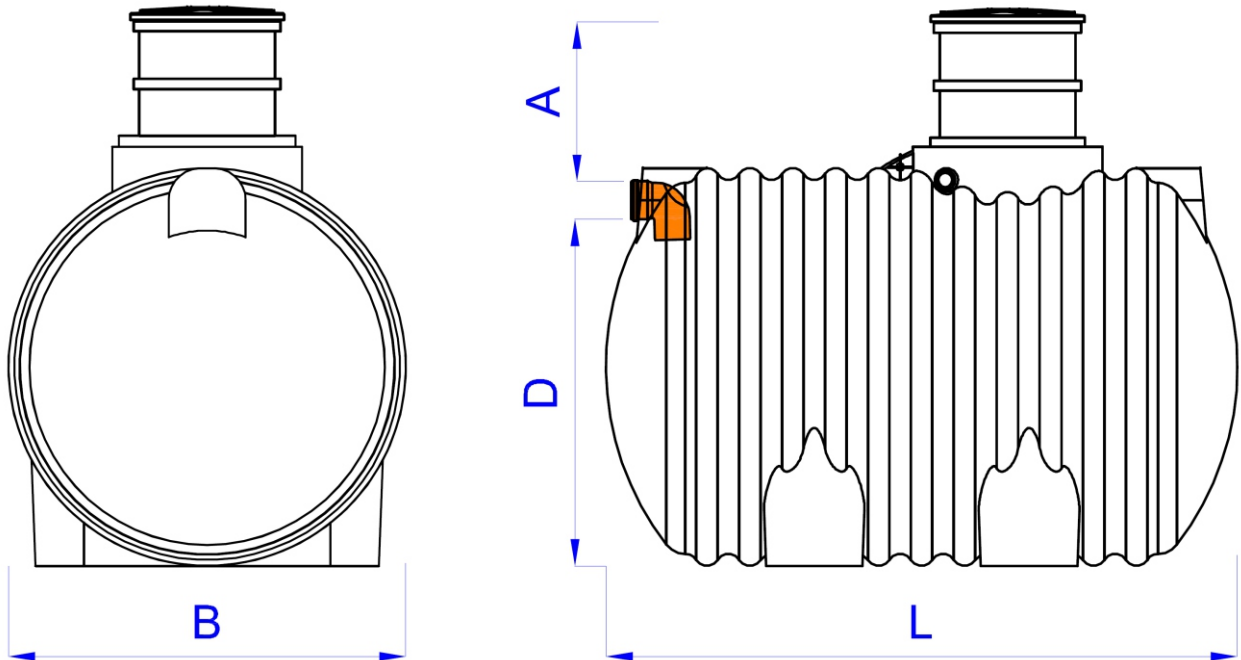
Biological treatment plant **BIO EASY FLOW WIRO 16**

The BIO EASY FLOW WIRO 16 sewage treatment plant is a single-chamber biological treatment plant intended for 4 to 16 permanent users (PE), in which the treatment processes are cyclical.

In BIO EASY FLOW WIRO sewage treatment plants, a pump is used at the outlet, which allows sewage to be discharged or managed regardless of the groundwater level and type of soil.



Basic parameters



Index	Model	Number of users	Capacity [m ³]	Nominal flow [m ³ /day]	Length (L) [mm]	Width (B) [mm]	Inlet height (D) [mm]	Inlet depth (A) [mm]	Inlet/outlet diameter [mm]
O/00188	BIO EASY FLOW WIRO 4-16	4-16 PE	6,0	2,4	2840	1790	1560	560	160/50