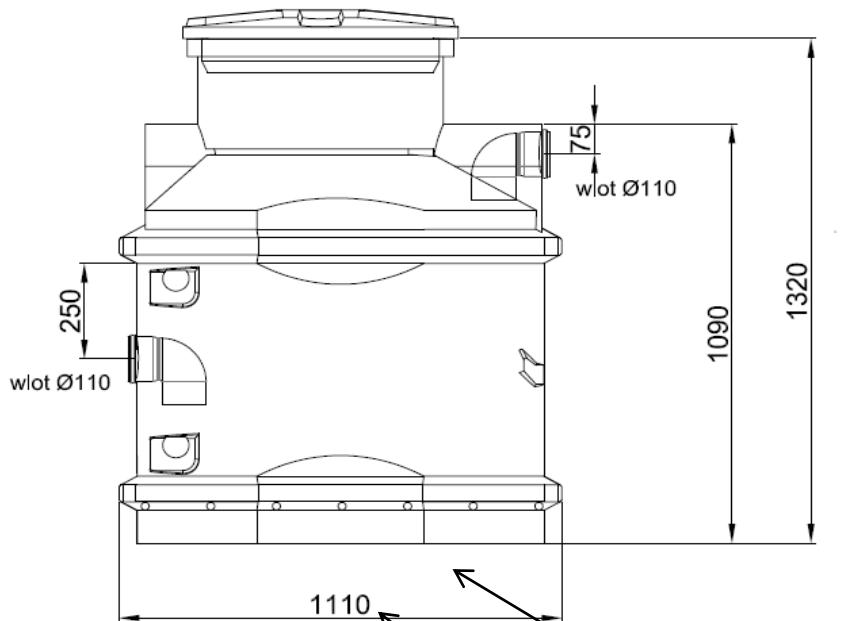


Absorbent well 850l

Application:

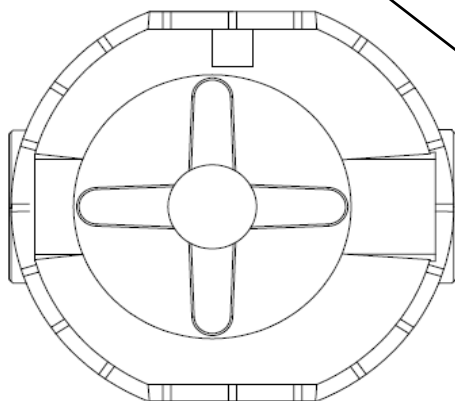
- Drainage of rainwater
- Drainage of sewage discharged from the septic tank
- Drainage of sewage discharged from biological treatment plants

Basic parameters



Side drainage holes

The well made without a bottom



Index

P/0020

Article

Absorbent well 850l